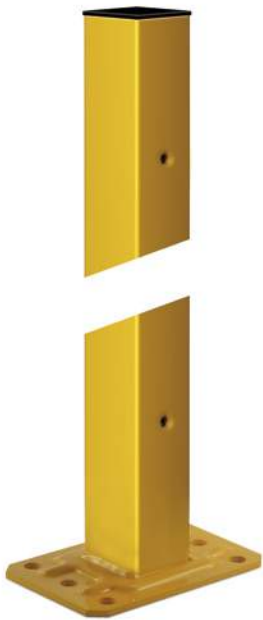


- Available in powder coated steel or stainless steel
- Standard colours: yellow RAL 1007 - black RAL 9005
- Non-standard colours, also based on sample (additional charge)



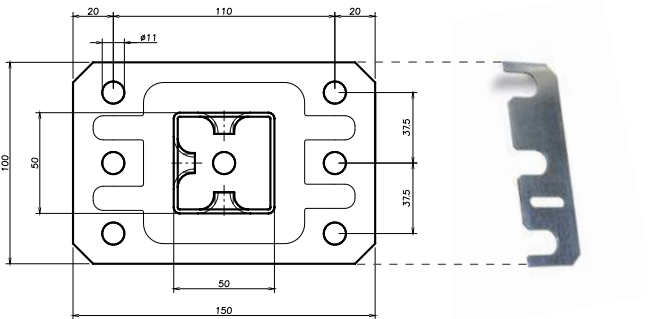
■ TUBULAR POST
50x50 mm

Mod.	H [mm]
020	2000
029	2500

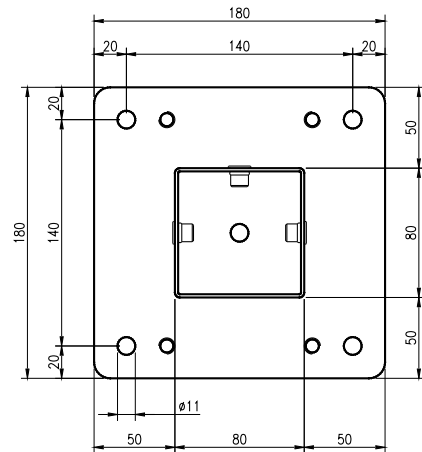


■ TUBULAR POST
80x80 mm

Mod.	H [mm]
079	> 2500



■ THICKNESS 1 mm
for posts - code 115



OPTIONAL



Adjustable telescopic foot
code. 020S



Reinforcement for
post - code 020R